

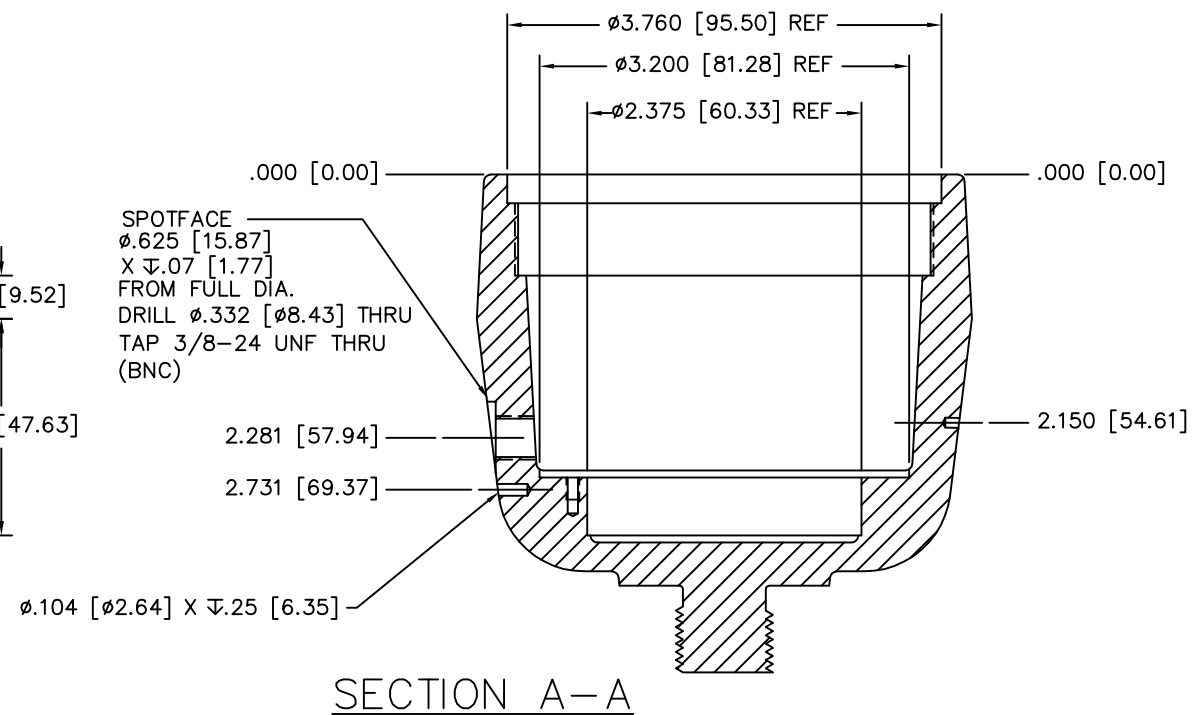
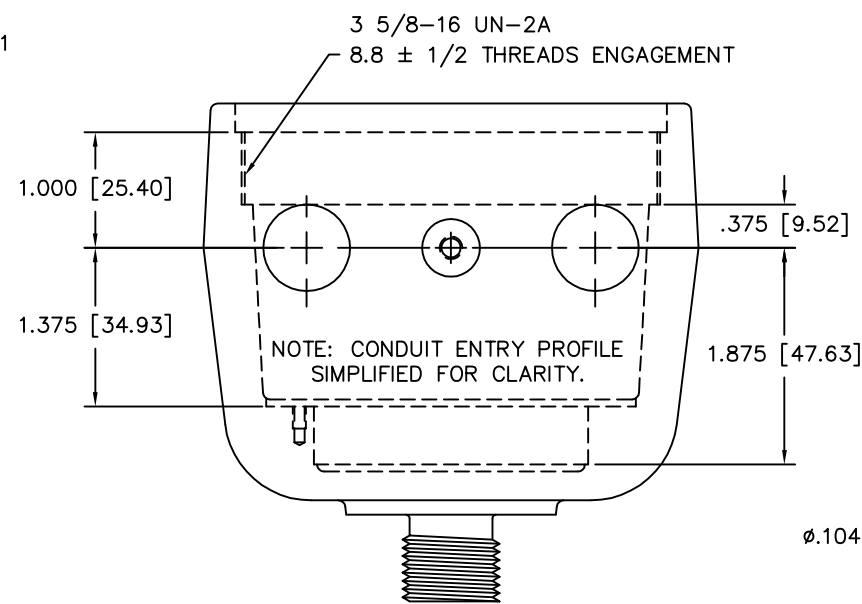
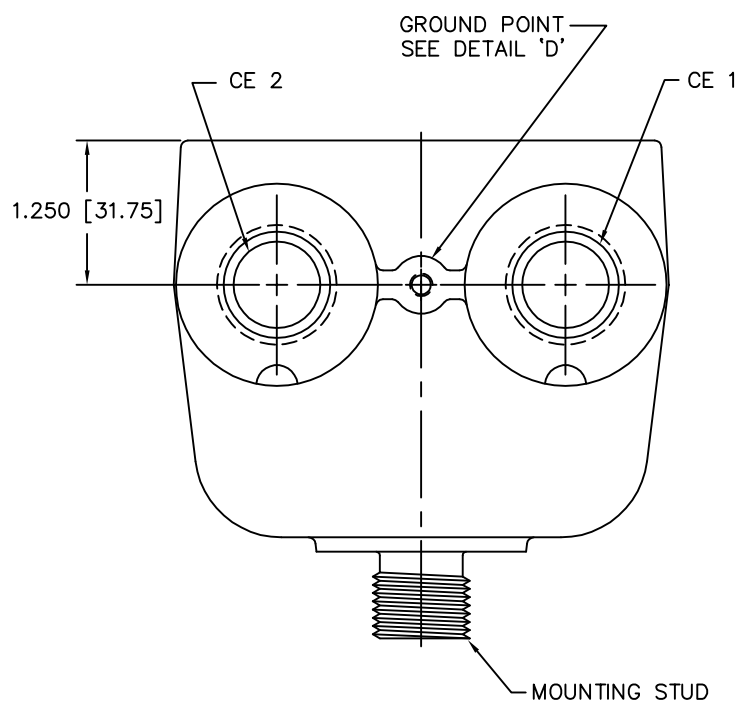
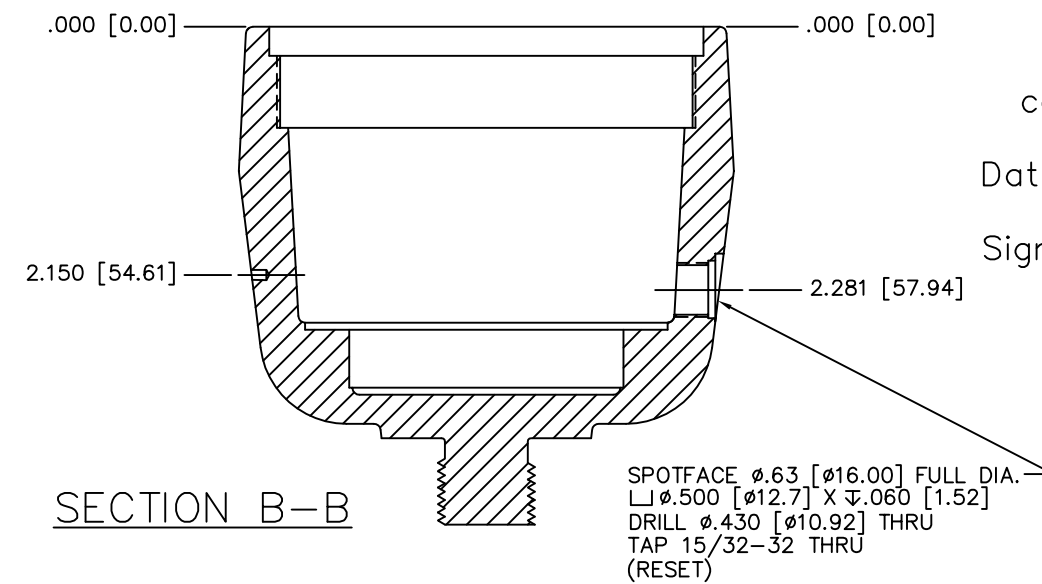
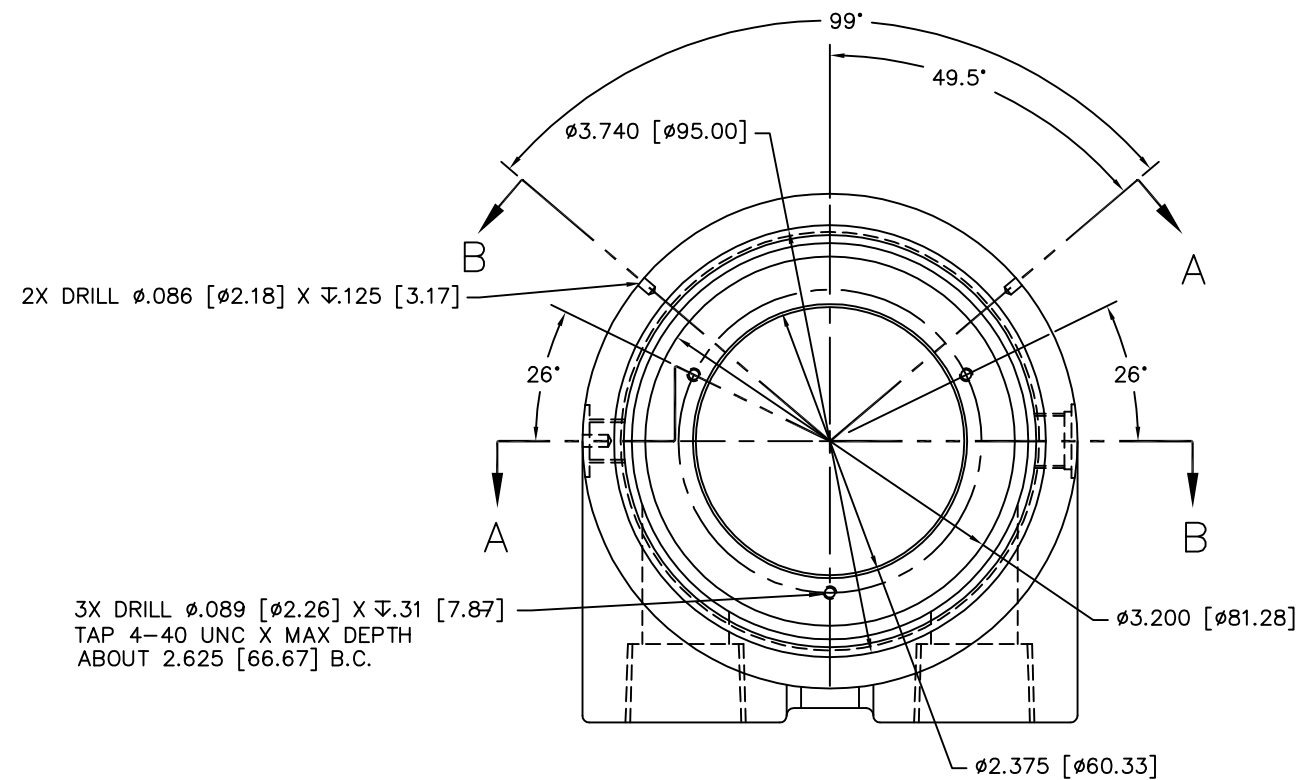
AGENCY APPROVED PRODUCT

DO NOT DEVIATE FROM DOCUMENTED CONSTRUCTION OR LISTED PARTS

Verifie et Certifié conforme à l'exécution

Date: \_\_\_\_\_

Signature: \_\_\_\_\_



FLAME PATHS

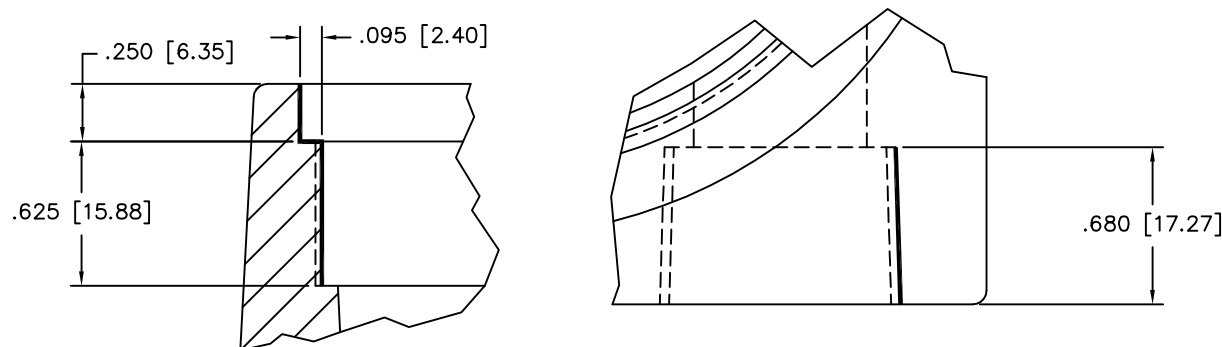


FIGURE 4. HOUSING, THREADED 8916-XXX

MATERIAL: MADE FROM CASTING. METRIX P/N 8913-001 ALUMINUM ALLOY 356 CONTAINS LESS THAN 6% MAGNESIUM BY WEIGHT  
FINISH: AS CAST

DIMENSIONS ARE IN inches [mm]

TOLERANCES ARE:  
FRACTIONS: DECIMALS:  
±1/64 .XX ±.01  
.XXX ±.005  
ANGLES:  
±1°  
SURFACE FINISH  
64

**METRIX** HOUSTON, TEXAS USA

MODEL SW6000/SM6100  
VIBRATION SWITCH  
CERTIFICATION DWG (AGENCY)

SCALE: **B** DRAWING NO. 9030-AGENCY REV. B SHEET: 4 of 24