

NOTES: (UNLESS OTHERWISE SPECIFIED)

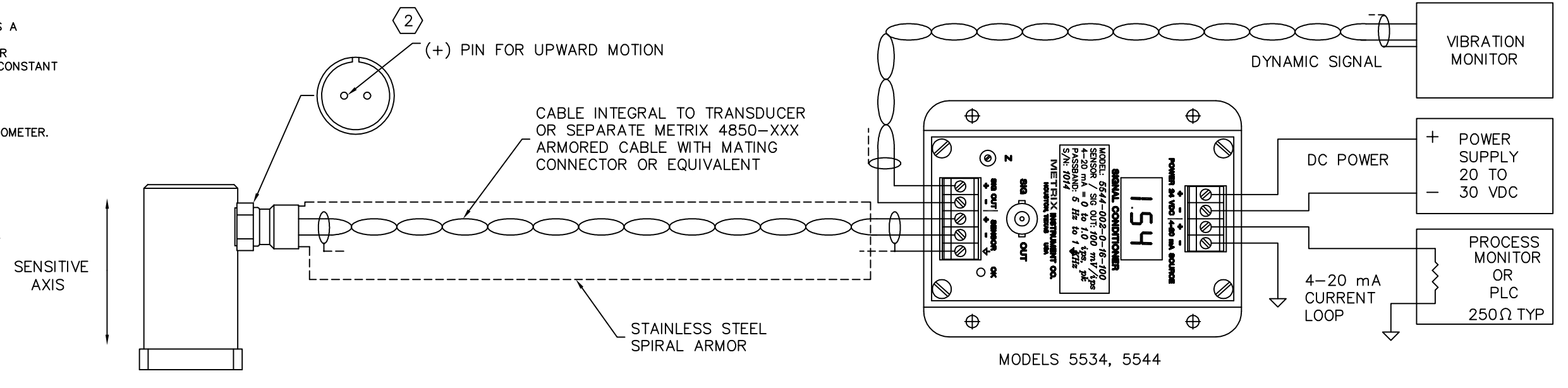
REVISIONS	
REV	OR/CHANGE
D	SECOND PAGE ADDED

CLASS I DIVISION 2 DRAWING

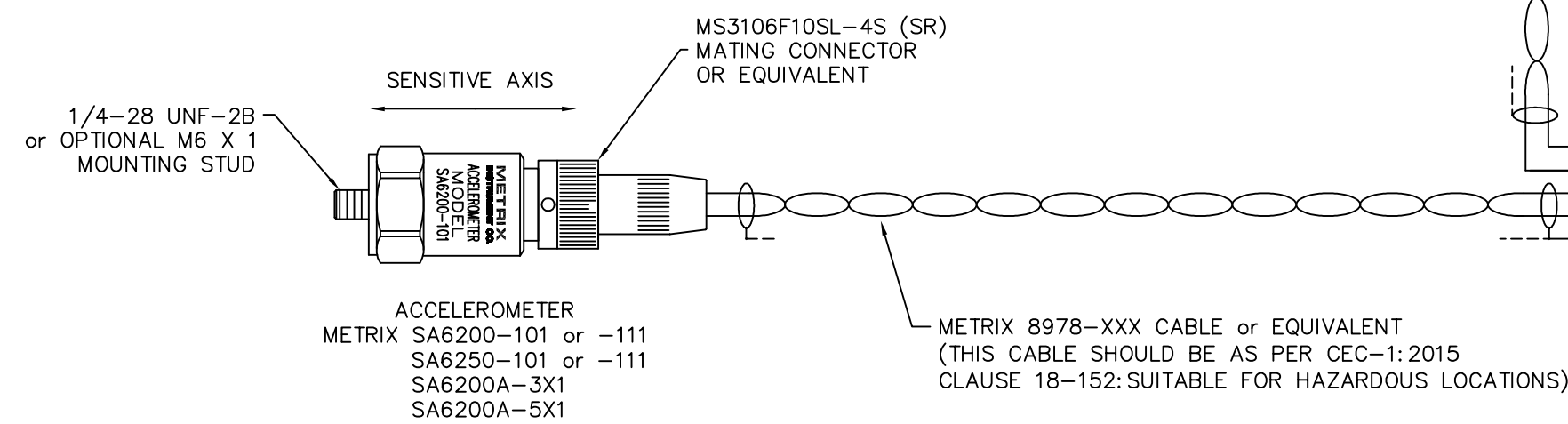
- ② 5534, 5544 SERIES: CONNECT TRANSDUCER (+) PIN TO SIGNAL CONDITIONER SENSOR ± FOR SIG_OUT DYNAMIC SIGNAL PHASING TO BE A POSITIVE SIGNAL FOR UPWARD MOTION OF THE TRANSDUCER.
- ③ 5535, 5545 SERIES: THE SIGNAL CONDITIONER PROVIDES A DC CONSTANT CURRENT TO THE ACCELEROMETER FOR ACCELEROMETER POWER. REFER TO MANUAL M8687 FOR INSTRUCTIONS TO SELECT EITHER THE 4mA OR 10 mA CONSTANT CURRENT. OPEN LOOP VOLTAGE IS 20 VDC (NOMINAL). ACCELEROMETER DC BIAS VOLTAGE RANGE IS 8 TO 12 VDC. CONNECT ACCELEROMETER (+) TO TRANSMITTER SENSOR ±. SIG_OUT DYNAMIC SIGNAL PHASING IS A POSITIVE SIGNAL FOR UPWARD MOTION OF THE ACCELEROMETER.

- 4. SIGNAL CONDITIONER TEMPERATURE LIMITS
 5534/5544: -40°C TO +66°C
 5535/5545: -10°C TO +66°C
- 5. SEE SHEET 2 OF 2 FOR SUBSTITUTION OF COMPONENTS.

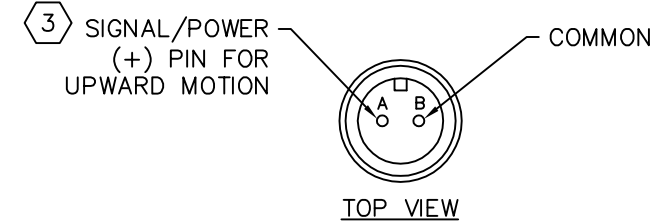
WARNING -EXPLOSION HAZARD - SUBSTITUTION OF COMPONENTS MAY IMPAIR SUITABILITY FOR CLASS I, DIV 2.



VELOCITY TRANSDUCER
 METRIX 5475C, 5485C
 CEC 4-131



ACCELEROMETER
 METRIX SA6200-101 or -111
 SA6250-101 or -111
 SA6200A-3X1
 SA6200A-5X1

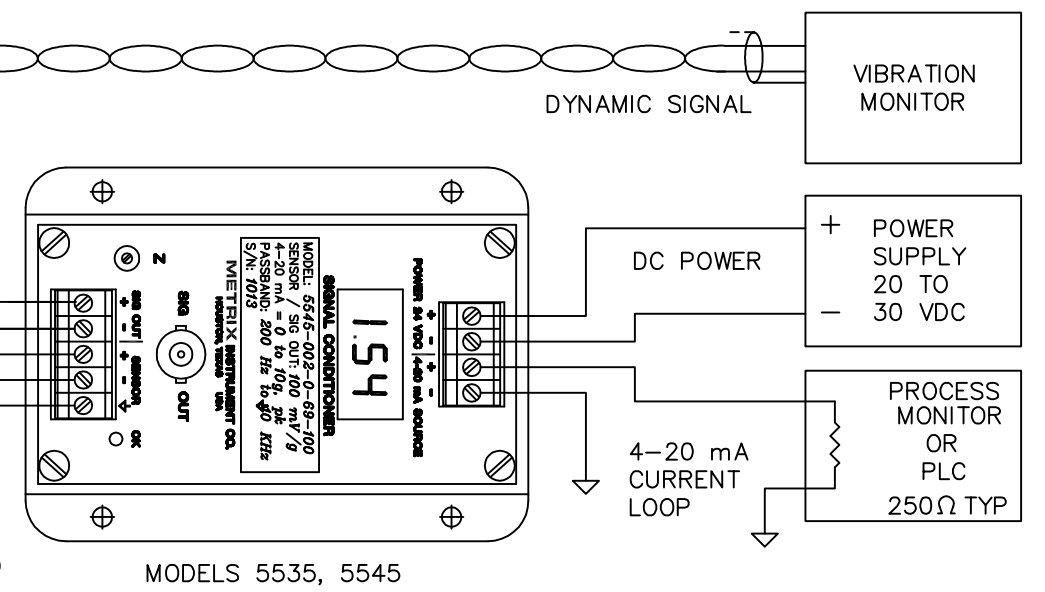


AGENCY APPROVED PRODUCT
 DO NOT DEVIATE FROM DOCUMENTED CONSTRUCTION OR LISTED PARTS

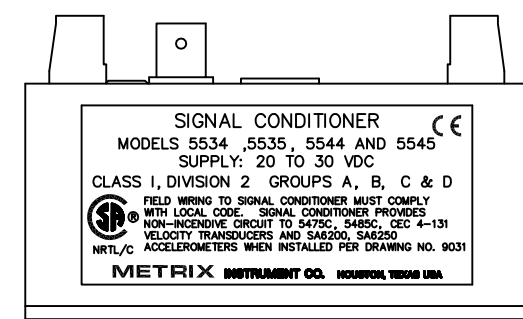
Verifie et Certifié conforme à l'exécution

Date: _____

Signature: _____



MODELS 5535, 5545



MATERIAL:	UNLESS OTHERWISE SPECIFIED DIMENSIONS ARE IN INCHES. ALL CORNERS BROKEN TO .010 MIN RADIUS AND TOLERANCES ARE:	APPROVALS	DATE	
FINISH:	FRACTIONS: DECIMALS: ±1/64 .XX ±.01 ANGLES: .XXX ±.005 ±1° SURFACE FINISH 64	DRAWN BY: A. Wilson	05-14-98	
THIS DOCUMENT AND ALL INFORMATION HEREON IS THE PROPERTY OF METRIX INSTRUMENT CO. APPROVAL MUST BE OBTAINED BEFORE IT IS REPRODUCED OR INFORMATION HEREON IS ISSUED TO A THIRD PARTY. THIS DOCUMENT MUST BE RETURNED UPON REQUEST.	NEXT ASSY USED ON APPLICATION	CHECKED BY: D. Dobsky	05-26-98	
		APPROVED BY: R.L. Morrison	05-26-98	
PENDING CSA APPROVAL DO NOT SCALE DRAWING			INSTALLATION (CSA) CLASS I, DIVISION 2, GROUPS A, B, C, D AREAS 5534, 5535, 5544, 5545 SIGNAL CONDITIONERS	DRAWING NO. 9031 REV. D

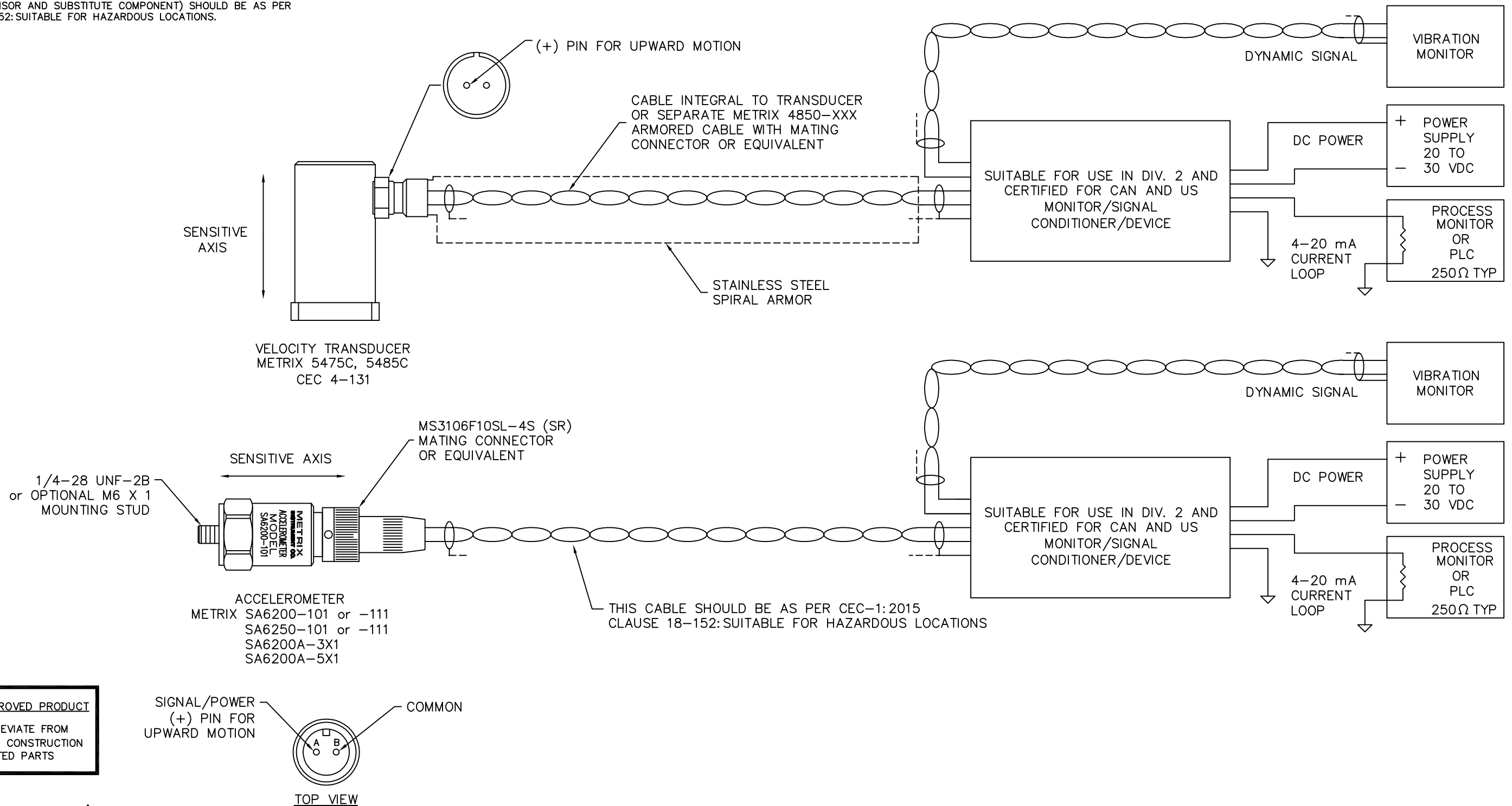
NOTES: (UNLESS OTHERWISE SPECIFIED)

1. SUBSTITUTE OF COMPONENT:

MUST BE SUITABLE FOR USE IN DIV. 2 AND CERTIFIED FOR CAN AND US MONITOR/SIGNAL CONDITIONER/DEVICE.

THIS CABLE (BETWEEN SENSOR AND SUBSTITUTE COMPONENT) SHOULD BE AS PER CEC-1:2015 CLAUSE 18-152: SUITABLE FOR HAZARDOUS LOCATIONS.

CLASS 1 DIVISION 2 DRAWING




AGENCY APPROVED PRODUCT
DO NOT DEVIATE FROM DOCUMENTED CONSTRUCTION OR LISTED PARTS

Verifie et Certifié conforme à l'exécution

Date: _____

Signature: _____

APPROVALS	DATE	 HOUSTON, TEXAS USA INSTALLATION (CSA) CLASS 1, DIVISION 2, GROUPS A, B, C, D AREAS 5534, 5535, 5544, 5545 SIGNAL CONDITIONERS
DRAWN BY:		
A. Wilson	05-14-98	
CHECKED BY:		
D. Dobsky	05-26-98	
APPROVED BY:		
R.L. Morrison	05-26-98	
PENDING CSA APPROVAL		DRAWING NO. 9031 REV. D
DO NOT SCALE DRAWING		SCALE: NONE SHEET: 2 of 2