

AM3030 ALARM MONITOR

Datasheet

OVERVIEW

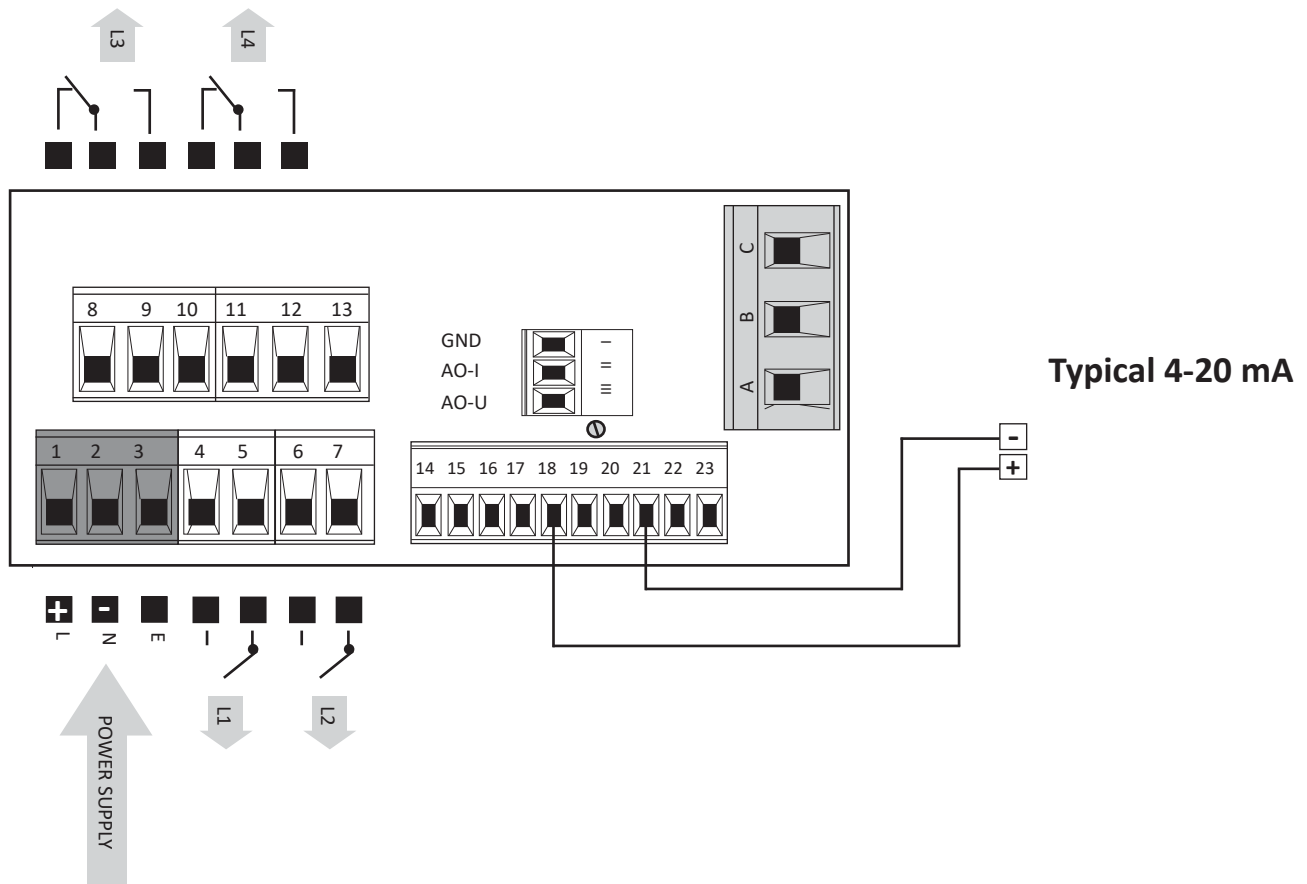
The Model AM3030 Alarm Monitor is a three color bargraph display with numerical indicator. It provides transmitter excitation and up to 4 programmable trip points in a neat 1/8 DIN package. This alarm monitor compliments the Metrix line of vibration transmitters by consolidating excitation, display and protection into a single compact package. Analog retransmission is available.

AM3030 accepts 4-20 mA current inputs. It is configured using the 5 front panel keys. The green, yellow, red LED bargraph display can be configured for point or bar display and for one color or tricolor with change on alarm or change by zone.



FEATURES

- 4-20 mA process monitor
- 2 or 4 adjustable relays
- 30 Segment multi-color bargraph display
- 6 Digit numerical readout
- Internal isolated power supply for transmitters (24V)
- 24 VDC, 110 or 230 VAC voltage supply
- 1/8 DIN with NEMA 4 front bezel
- Analog output
- Compatible with Metrix Transmitters: ST5484E, MX2034, and ST6917



SPECIFICATIONS

Measurement Range	4-20 mA
Display	Horizontal Bar: 1 x 30 LED Numeric: Full 6 digit or 4 3/4 with units Height / Color: 9mm/Red or Green Brightness: Adjustable
Accuracy	0.05% of range + 1 digit Temp. Coefficient: 60 ppm°C Samples/sec.: Preset to 1.4 /sec.; 16.6, 8.3, 5.6, 2.8, 1.4, 0.7, 0.4, 0.2, 0.1, 0.05 selectable Overload Capacity: 10x < 30 msec., 2 x continuous Watchdog: Reset after 1.2 sec. Input Filters: Rolling average, (2 to 30), every nth reading, deviation band Calibration at: 25°C and 40% RH
Alarms	Number: 2 or 4 Switch on Time: < 30 msec. Hysteresis: 0 to 9999 Delay Time: 0 to 99.9 sec. Output: 2 or 4 SPDT relay; 3 Amp, 250 VAC

Analog Output	Type: Isolated, programmable resolution, corresponds to displayed value Non-Linearity: 0.2% of range Range: 4-20 mA
Excitation	Preset to 24 VDC; 2 to 24 VDC adjustable
Power Supply	Internal fuse protection VAC: 110 or 230 50/60 Hz OR VDC: 10 to 30 V
Mechanical	Dimensions: 1/8 DIN; 96 x 48 x 154 mm Panel cutout: 90.5 x 45 Weight: 1 Kg (2.21 lbs)
Operating Conditions	Operating Temp: 0 to 60°C (85°C storage) Front Bezel: IP 65, NEMA 4

ORDERING OPTIONS

AM3030-A A - B C - D E - F G - H H		
0 1 H R 4 1 0 0 0		
AA		Input Type
	01	4-20 mA
B		Display Orientation
	H	Horizontal
C		Numeric Display Color
	R	Red
D		Power Supply
	0	24 VDC
	1	110 VAC, 60Hz/230 VAC, 50 Hz
E		Relay Output
	4	4 SPDT, 3A
F		Analog Output
	1	Analog
G		Data Output
	0	No serial comms
HH		Special codes
	00	No special codes



5455-119
Enclosure for AM3030
(holds 2 units, sold as separate option)

Note: Metrix is continuously improving our products. Please refer to our website to download the latest version of this datasheet.