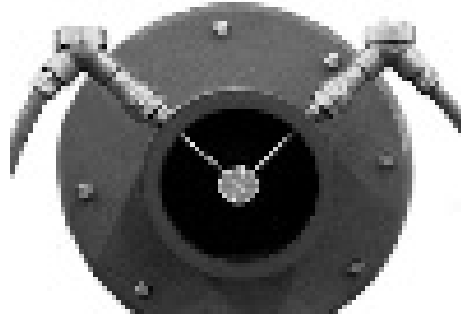


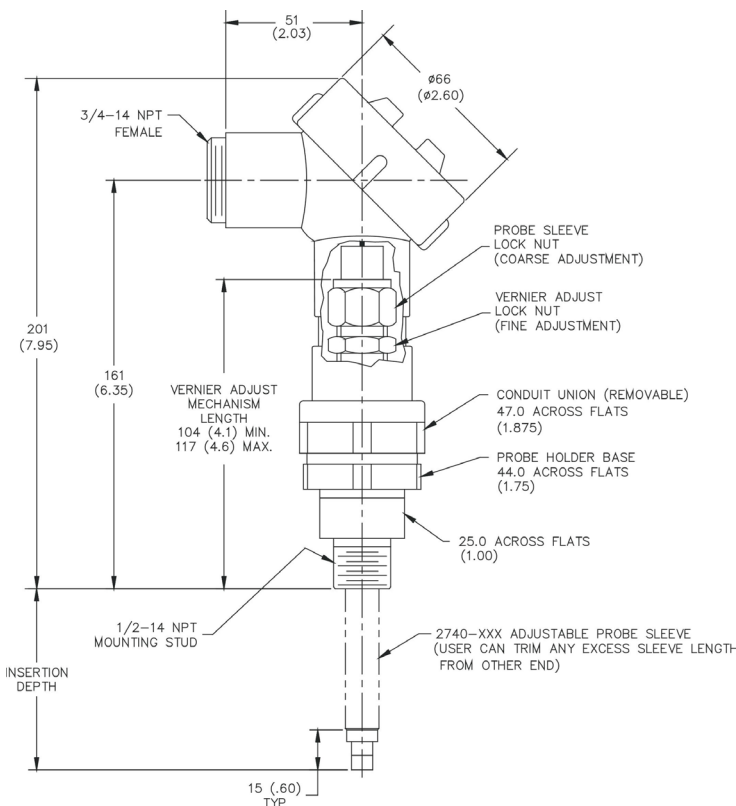
OVERVIEW

Model 5499 ruggedized housing provides physical protection for probe. It facilitates faster and more accurate probe gap setup and maintenance with separate coarse adjustment and vernier fine adjustment mechanisms. Disassembly of the integral conduit union allows adjustment access as shown in the far right photo.

An adjustable Probe Sleeve is included with Model 5499. The Reverse Mount Probe is installed into the threaded end of the probe sleeve and then locked in place with the lock nut. Sleeve can be field-cut to the proper insertion length prior to probe installation.



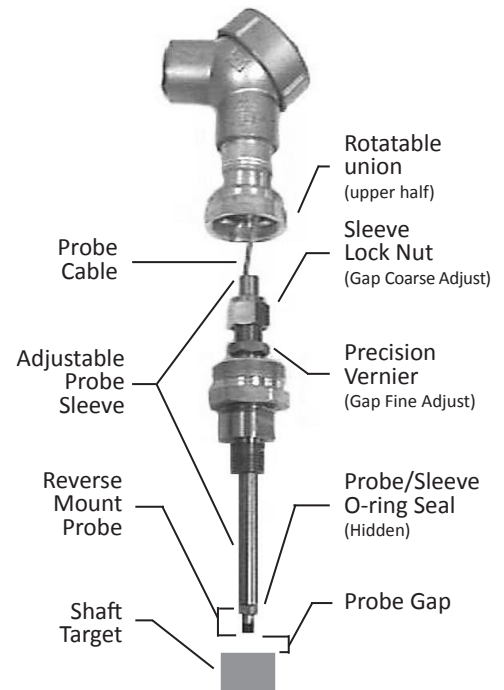
WEIGHT & DIMENSIONS



2740-XXX
Adjustable Probe Sleeve
(trim excess sleeve length in field)

Weight: 0.9 kg [2.0 lb]

Housing opened to show gap adjustment

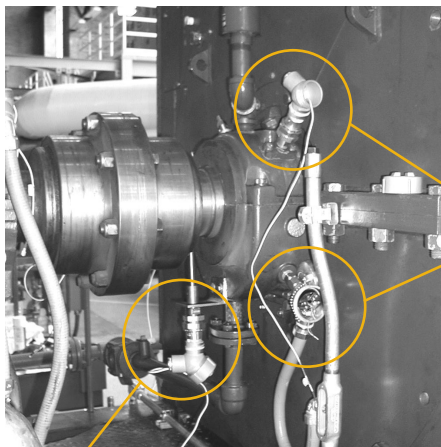


HOW TO ORDER

5499 - **X X X**

X	X	X	Tip Diameter	Max. Insertion Depth	Use with Model	Pressure
0	0	2	3/8" x 24	6.2 in	Any reverse mount probe with these threads	Up to 100 psi (0.689 MPa)
0	0	3		13.4 in		
1	0	2	M10 x 1	15.75 cm		
1	0	3		34.0 cm		
2	0	2	3/8" x 24	7.4 in	10026-925-05	Up to 200 psi (1.37 MPa)
2	0	3		13.4 in	10026-925-10	
3	0	2	M10 x 1	18.5 cm	Available upon request	
3	0	3		34 cm		
4	0	2	3/8" x 24	7.4 in	10026-925-05	Up to 1000 psi (6.89 MPa)
4	0	3		13.4 in		
5	0	2	M10 x 1	18.5 cm	Available upon request	
5	0	3		34 cm		

Standard is for 1/2" NPT mounting stud, for 3/4" NPT mounting, add M1002 in suffix.
 Example: 5499-002-M1002



1/rev probe off keyway (for phase)

