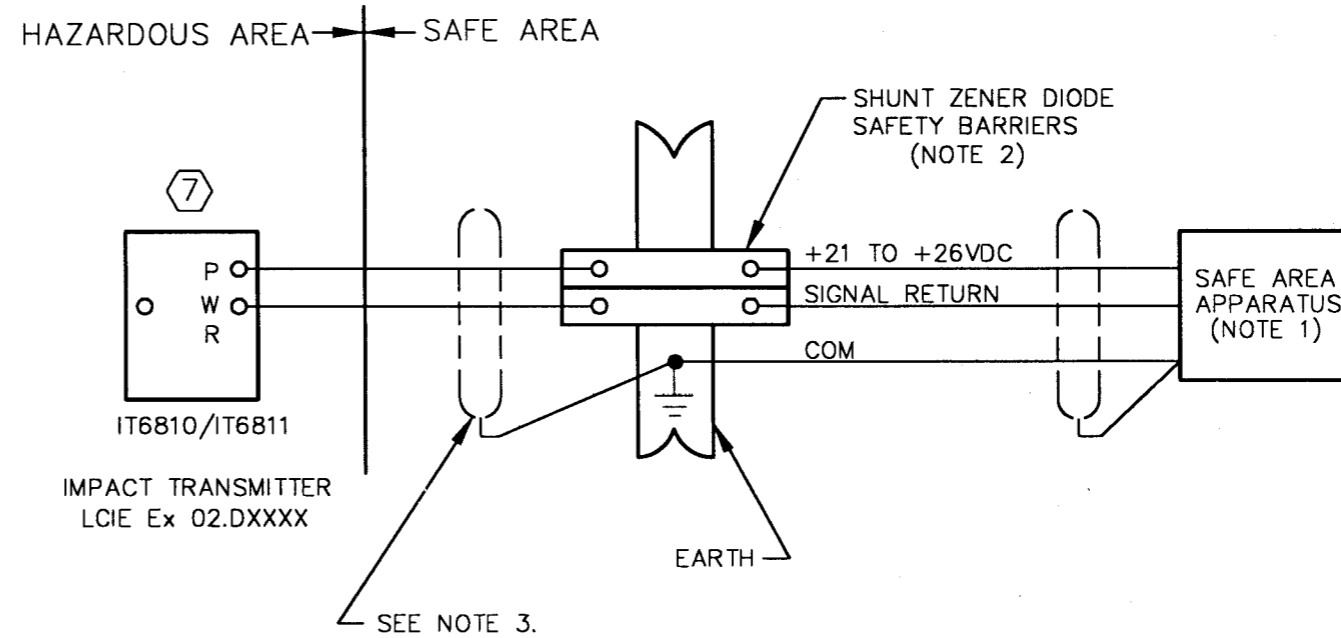


NOTES: (UNLESS OTHERWISE SPECIFIED)

- SAFE AREA APPARATUS IS NOT SPECIFIED EXCEPT THAT IT MUST NOT BE SUPPLIED FROM NOR CONTAIN IN NORMAL OR ABNORMAL CONDITIONS A SOURCE OF POTENTIAL WITH RESPECT TO EARTH IN EXCESS OF 250 VRMS OR 250 VDC.
 - THE SAFETY BARRIER MUST CONFORM TO THE FOLLOWING:
 $V_{oc}, V_o \leq V_{max}, V_i$
 $I_{sc}, I_i \leq I_{max}, I_i$
 $P_o \leq P_i$
 - CIRCUIT IN HAZARDOUS AREA MUST BE CAPABLE OF WITHSTANDING A VOLTAGE TEST OF 500 VRMS TO EARTH OR TO THE FRAME OF THE APPARATUS FOR ONE MINUTE.
 - THE CAPACITANCE AND EITHER THE INDUCTANCE OR RESISTANCE (L/R) RATIO OF THE INTERCONNECTING CABLE MUST NOT EXCEED THE FOLLOWING:
 $C_{cable} \leq C_o - C_i$
 $L_{cable} \leq L_o - L_i$
 - THE HAZARDOUS AREA CABLE IS TO BE INSTALLED AS EITHER A SEPARATE CABLE OR A SEPARATE CIRCUIT WITHIN A "TYPE A" CABLE OR WITHIN A "TYPE B" CABLE AS DEFINED IN EN 50039 (1980). THE PEAK VOLTAGE OF ANY CIRCUIT IN THE "TYPE B" CABLE MUST NOT EXCEED 60V.
 - THE INSTALLATION MUST COMPLY WITH THE APPROPRIATE NATIONAL INSTALLATION REQUIREMENTS. EXAMPLE: UK. BS5345 PART 4 (1977).
- ⑦ REFER TO SPECIFICATION DRAWING 9228 FOR ADDITIONAL INSTALLATION AND WIRING DETAILS.

REVISIONS				
REV	ENO	BY	DATE	APPROVED
•	9022	RELEASE	AW	<i>[Signature]</i>

INSTALLATION - PROXIMITY SENSOR IN HAZARDOUS LOCATION CENELEC



Entity Parameters
$V_{max}, V_i = 30V$
$I_{max}, I_i = 100mA$
$P_i = 0.75W$
$C_i = 29nF$
$L_i = 0mH$

AGENCY APPROVED PRODUCT
DO NOT DEVIATE FROM DOCUMENTED CONSTRUCTION OR LISTED PARTS

Verifie et Certifie
conforme à l'exécution

Date: 10-25-02

Signature: *[Signature]*

MATERIAL:	UNLESS OTHERWISE SPECIFIED DIMENSIONS ARE IN INCHES. ALL CORNERS BROKEN TO .010 MIN RADIUS AND TOLERANCES ARE:	APPROVALS	DATE	HOUSTON TEXAS
FINISH:	FRACTIONS: DECIMALS: ±1/64 .XX ±.01 .XXX ±.005	DRWN BY: A. Wilson	10-22-02	METRIX INSTRUMENT CO. U.S.A.
THIS DOCUMENT AND ALL INFORMATION HEREON IS THE PROPERTY OF METRIX INSTRUMENT CO. APPROVAL MUST BE OBTAINED BEFORE IT IS REPRODUCED OR INFORMATION HEREON IS ISSUED TO A THIRD PARTY. THIS DOCUMENT MUST BE RETURNED UPON REQUEST.	ANGLES: ±1°	CHECKED BY: <i>[Signature]</i>	9-4-02	INSTALLATION, IT6810/IT6811 IMPACT TRANSMITTER
	SURFACE FINISH 64	APPROVED BY: <i>[Signature]</i>	9-9-02	
	IT6811 IT6810	SCALE: NONE	SHEET: 1 of 1	
NEXT ASSY USED ON		APPLICATION		DO NOT SCALE DRAWING