

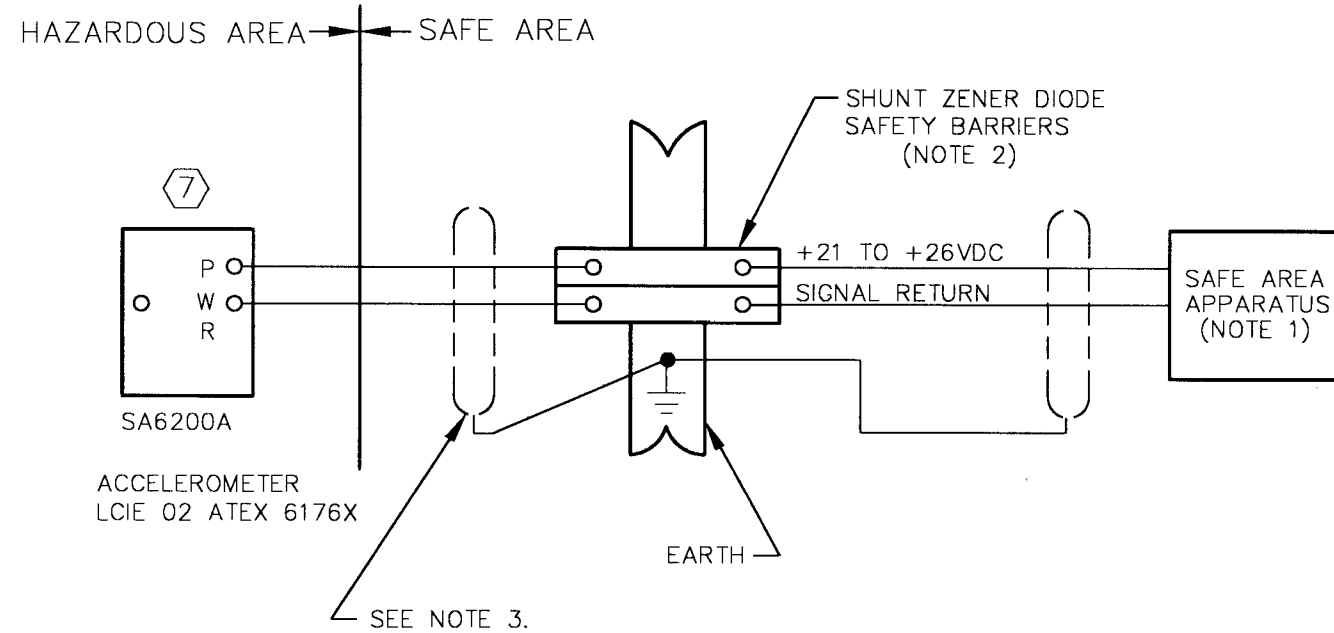
NOTES: (UNLESS OTHERWISE SPECIFIED)

- SAFE AREA APPARATUS IS NOT SPECIFIED EXCEPT THAT IT MUST NOT BE SUPPLIED FROM NOR CONTAIN IN NORMAL OR ABNORMAL CONDITIONS A SOURCE OF POTENTIAL WITH RESPECT TO EARTH IN EXCESS OF 250 VRMS OR 250 VDC.
- THE SAFETY BARRIER MUST CONFORM TO THE FOLLOWING:  
 $V_{oc}, V_o \leq V_{max}, V_i$   
 $I_{sc}, I_i \leq I_{max}, I_i$   
 $P_o \leq P_i$
- CIRCUIT IN HAZARDOUS AREA MUST BE CAPABLE OF WITHSTANDING A VOLTAGE TEST OF 500 VRMS TO EARTH OR TO THE FRAME OF THE APPARATUS FOR ONE MINUTE.
- THE CAPACITANCE AND EITHER THE INDUCTANCE OR INDUCTANCE TO RESISTANCE (L/R) RATIO OF THE INTERCONNECTING CABLE MUST NOT EXCEED THE FOLLOWING:  
 $C_{cable} \leq C_o - C_i$   
 $L_{cable} \leq L_o - L_i$
- THE HAZARDOUS AREA CABLE IS TO BE INSTALLED AS EITHER A SEPARATE CABLE OR A SEPARATE CIRCUIT WITHIN A "TYPE A" CABLE OR WITHIN A "TYPE B" CABLE AS DEFINED IN EN 50039 (1980). THE PEAK VOLTAGE OF ANY CIRCUIT IN THE "TYPE B" CABLE MUST NOT EXCEED 60V.
- THE INSTALLATION MUST COMPLY WITH THE APPROPRIATE NATIONAL INSTALLATION REQUIREMENTS. EXAMPLE: UK. BS5345 PART 4 (1977).
- REFER TO SPECIFICATION DRAWING 9308 FOR ADDITIONAL INSTALLATION AND WIRING DETAILS.
- FOR nL ZONE 2 INSTALLATIONS, THE ELECTRICAL PARAMETERS OF THE POWER SUPPLY THAT CAN BE CONNECTED TO THE ACCELEROMETER MUST NOT EXCEED ANY OF THE FOLLING VALUES:

$$V \leq 30V; I \leq 100mA; P \leq 750mW$$

REVISIONS			
REV	CRD	BY	DATE
*	9006 RELEASE	AW	09-15-02
A	9092	AW	08-01-03
B	9268	AW	4-27-04

## INSTALLATION - ACCELEROMETER IN HAZARDOUS LOCATION CENELEC



Entity Parameters	
$V_{max}, V_i$	= 30V
$I_{max}, I_i$	= 100mA
$P_i$	= 0.75W
$C_i$	= 12nF
$L_i$	= 0mH

**AGENCY APPROVED PRODUCT**  
 DO NOT DEVIATE FROM  
 DOCUMENTED CONSTRUCTION  
 OR LISTED PARTS

Verifie et Certifié  
conforme à l'exécution

Date: 4-27-04

Signature:

MATERIAL: FINISH:	UNLESS OTHERWISE SPECIFIED DIMENSIONS ARE IN INCHES. ALL CORNERS BROKEN TO .010 MIN RADIUS AND TOLERANCES ARE:  FRACTIONS: DECIMALS: $\pm 1/64$ .XX $\pm 0.01$ $\pm .XXX$ $\pm 0.005$ ANGLES: $\pm 1^\circ$ SURFACE FINISH 64	APPROVALS DRAWN BY: A. Wilson CHECKED BY: N. Lyons APPROVED BY: D. Dabsky	DATE 08-06-02 08-14-02 08-14-02	HOUSTON TEXAS  U.S.A.  <b>INSTALLATION SA6200A ACCELEROMETER</b>	DRAWING NO. <b>9352</b> REV B
THIS DOCUMENT AND ALL INFORMATION HEREON IS THE PROPERTY OF METRIX INSTRUMENT CO. APPROVAL MUST BE OBTAINED BEFORE IT IS REPRODUCED OR INFORMATION HEREON IS ISSUED TO A THIRD PARTY. THIS DOCUMENT MUST BE RETURNED UPON REQUEST.		NEXT ASSY USED ON SA6200A	DO NOT SCALE DRAWING	SCALE: NONE SHEET: 1 of 1	