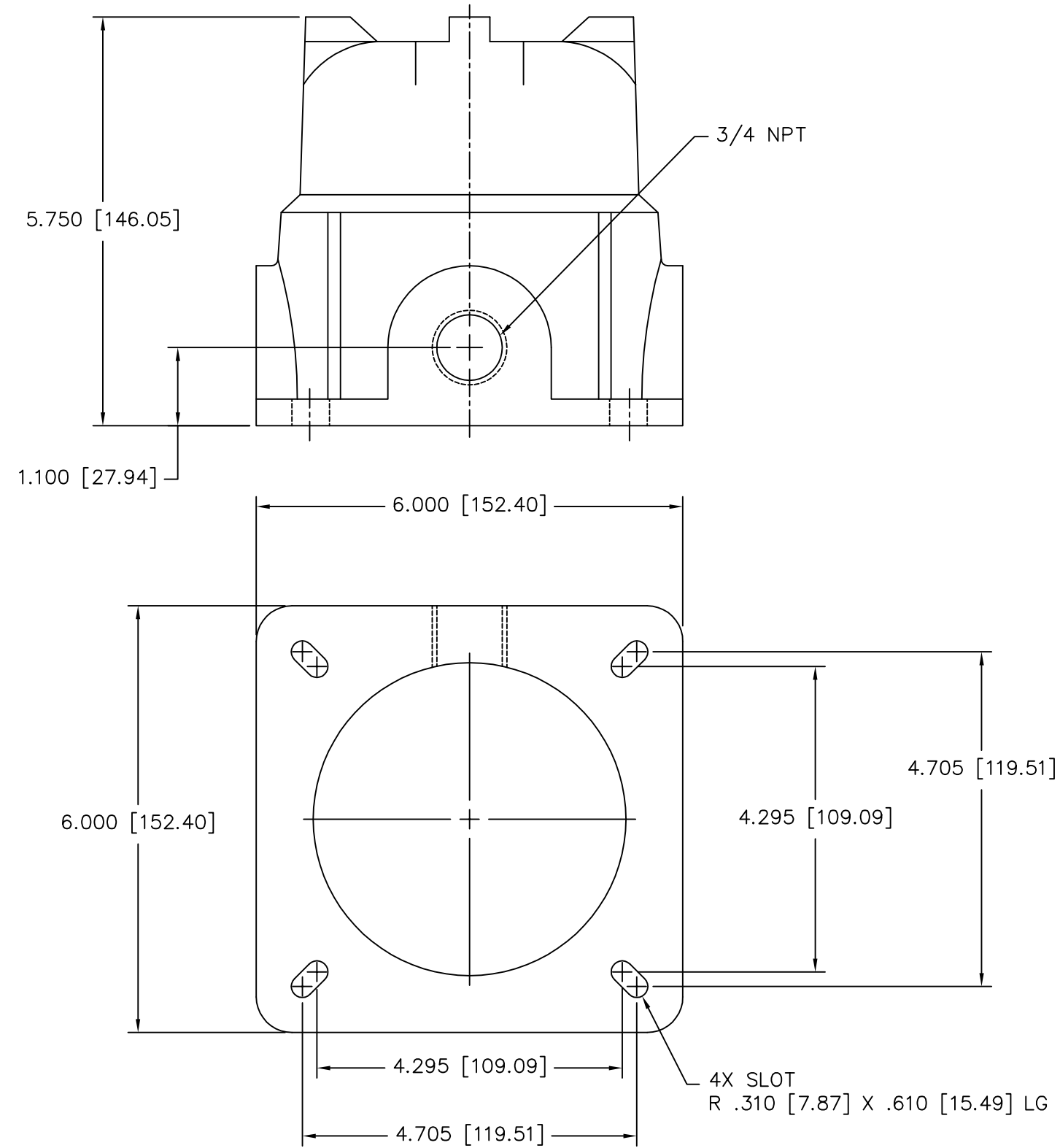


NOTES: (UNLESS OTHERWISE SPECIFIED)

REVISIONS	
REV	OR/CHANGE
A	RELEASE



BOTTOM VIEW

DIMENSIONS IN INCHES [mm]

MATERIAL: FINISH:	UNLESS OTHERWISE SPECIFIED DIMENSIONS ARE IN INCHES. ALL CORNERS BROKEN TO .010 MIN RADIUS AND TOLERANCES ARE: FRACTIONS: DECIMALS: $\pm 1/64$.XX ± 0.01 $\pm 1^\circ$.XXX ± 0.005 ANGLES: $\pm 1^\circ$ SURFACE FINISH $64 \sqrt{\quad}$	APPROVALS DRAWN BY:	DATE 03-26-18	
		CHECKED BY: A. Wilson	APPROVED BY:	
THIS DOCUMENT AND ALL INFORMATION HEREON IS THE PROPERTY OF METRIX INSTRUMENT CO. APPROVAL MUST BE OBTAINED BEFORE IT IS REPRODUCED OR INFORMATION HEREON IS ISSUED TO A THIRD PARTY. THIS DOCUMENT MUST BE RETURNED UPON REQUEST.		NEXT ASSY USED ON APPLICATION	DO NOT SCALE DRAWING	SCALE: 1/2 SHEET: 1 of 1

OUTLINE AND DIMENSION, ENCLOSURE, DUAL PROBE, 9469-001