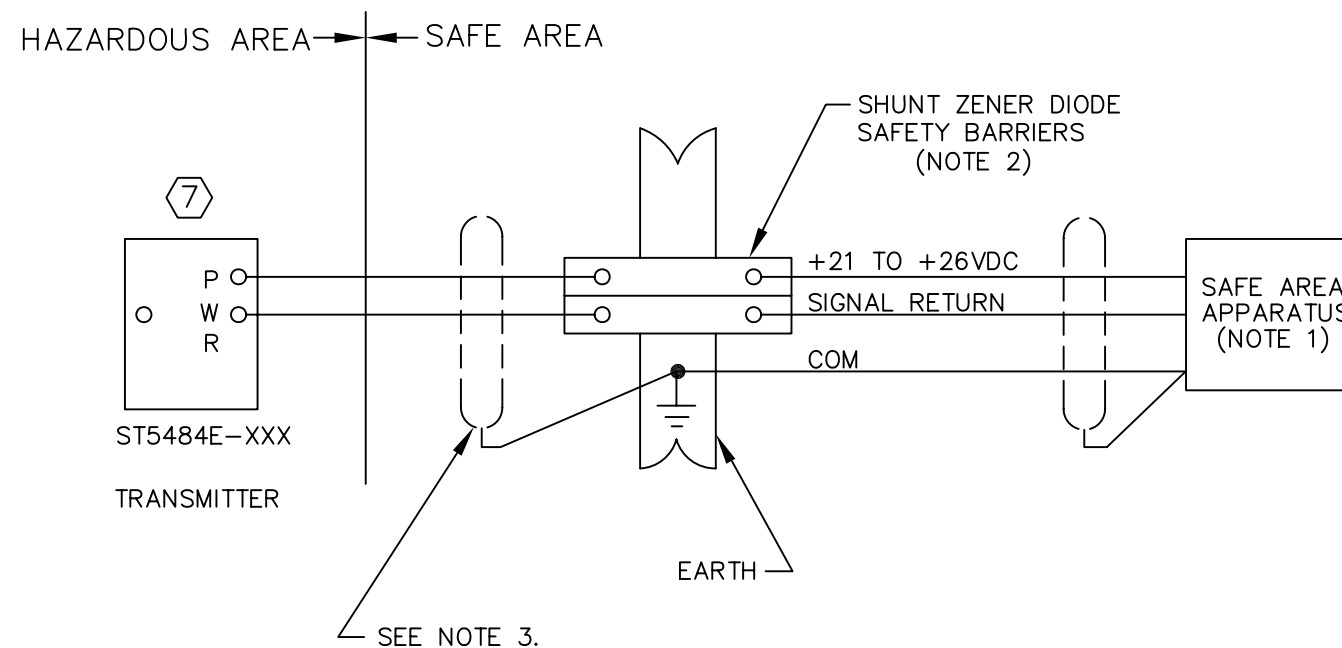


NOTES: (UNLESS OTHERWISE SPECIFIED)

- SAFE AREA APPARATUS IS NOT SPECIFIED EXCEPT THAT IT MUST NOT BE SUPPLIED FROM NOR CONTAIN IN NORMAL OR ABNORMAL CONDITIONS A SOURCE OF POTENTIAL WITH RESPECT TO EARTH IN EXCESS OF 250 VRMS OR 250 VDC.
- THE SAFETY BARRIER MUST CONFORM TO THE FOLLOWING:
 $V_{oc}, V_o \leq V_{max}, V_i$
 $I_{sc}, I_i \leq I_{max}, I_i$
 $P_o \leq P_i$
- CIRCUIT IN HAZARDOUS AREA MUST BE CAPABLE OF WITHSTANDING A VOLTAGE TEST OF 500 VRMS TO EARTH OR TO THE FRAME OF THE APPARATUS FOR ONE MINUTE.
- THE CAPACITANCE AND EITHER THE INDUCTANCE OR INDUCTANCE TO RESISTANCE (L/R) RATIO OF THE INTERCONNECTING CABLE MUST NOT EXCEED THE FOLLOWING:
 $C_{cable} \leq C_a - C_i$
 $L_{cable} \leq L_a - L_i$
- THE HAZARDOUS AREA CABLE IS TO BE INSTALLED AS EITHER A SEPARATE CABLE OR A SEPARATE CIRCUIT WITHIN A "TYPE A" CABLE OR WITHIN A "TYPE B" CABLE AS DEFINED IN EN 50039 (1980). THE PEAK VOLTAGE OF ANY CIRCUIT IN THE "TYPE B" CABLE MUST NOT EXCEED 60V.
- THE INSTALLATION MUST COMPLY WITH THE APPROPRIATE NATIONAL INSTALLATION REQUIREMENTS. EXAMPLE: UK. BS5345 PART 4 (1977).

⑦ REFER TO SPECIFICATION DRAWING 9163 FOR ADDITIONAL INSTALLATION AND WIRING DETAILS. MODEL 8200-001 CONDUIT ELBOW OR OTHER IP 20 RATED FITTING MUST BE EMPLOYED TO PROTECT THE ELECTRICAL CONNECTION. MATERIAL OF FITTING MUST CONTAIN LESS THAN 6% MAGNESIUM.

INSTALLATION – PROXIMITY SENSOR IN HAZARDOUS LOCATION CSA



Entity Parameters	
V_{max}, V_i	= 29.6V
I_{max}, I_i	= 100mA
P_i	= 0.74W
C_i	= 70.4nF
L_i	= 0.5mH

AGENCY APPROVED PRODUCT
 DO NOT DEVIATE FROM
 DOCUMENTED CONSTRUCTION
 OR LISTED PARTS

Verifie' et Certifie'
conforme a' l'execution

MATERIAL:	UNLESS OTHERWISE SPECIFIED DIMENSIONS ARE IN INCHES. ALL CORNERS BROKEN TO .010 MIN RADIUS AND TOLERANCES ARE:		APPROVALS	DATE	METRIX HOUSTON, TEXAS U.S.A. INSTALLATION ST5484E-XXX TRANSMITTER
FINISH:	FRACTIONS: DECIMALS: ±1/64 .XX ±.01 ANGLES: .XXX ±.005 ±1° SURFACE FINISH 64		DRAWN BY: A. Wilson	07-25-01	
THIS DOCUMENT AND ALL INFORMATION HEREON IS THE PROPERTY OF METRIX INSTRUMENT CO. APPROVAL MUST BE OBTAINED BEFORE IT IS REPRODUCED OR INFORMATION HEREON IS ISSUED TO A THIRD PARTY. THIS DOCUMENT MUST BE RETURNED UPON REQUEST.			CHECKED BY:		
			APPROVED BY:		
		NEXT ASSY USED ON ST5484E			DRAWING NO. 9426-AGENCY REV. B
		APPLICATION	DO NOT SCALE DRAWING	SCALE: NONE	SHEET: 1 of 1