

OVERVIEW

Metrix* MX8031 extension cables are available with and without protective armor and feature VibeLock™ and Triaxial Cables. They are compatible with all Metrix* MX8030 series 5mm & 8mm probe systems, and Bently Nevada** (BN) 3300 / 3300XL 5mm & 8mm probe systems.

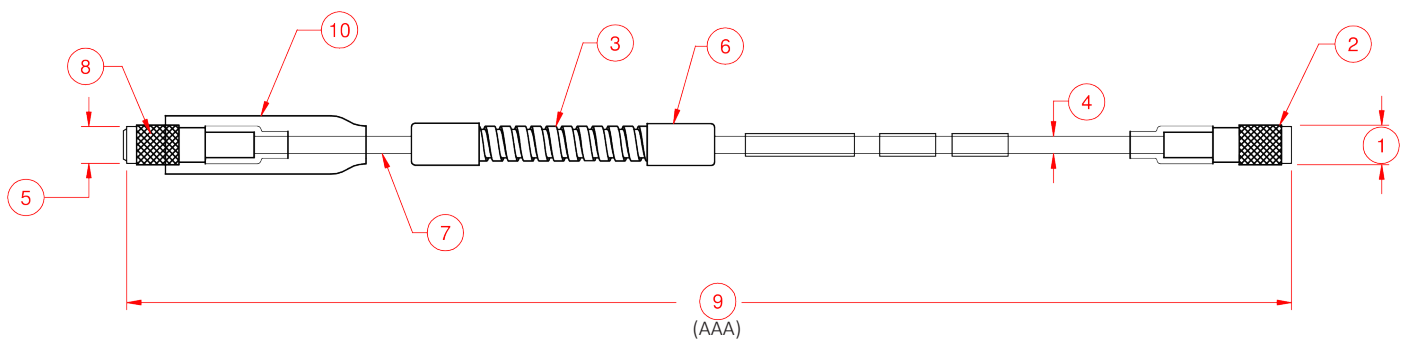
All Metrix* MX8031 extension cables are part of the 10000 series part number designation for agency approvals. The 10000 series P/N will appear on the product's label along with the MX8031 p/n. e.g. MX8031-AAA-BB-CC = 10300-AAA-BB-CC.

NEW



MX8031-AAA-BB-CC (5mm/8mm Extension Cable)

A	A	A	Cable Length	B	B	Cable Armor
0	3	0	3.0 meters	0	0	No Armor
0	3	5	3.5 meters	0	1	Armor
0	4	0	4.0 meters	C	C	Approvals
0	4	5	4.5 meters	0	0	None
0	7	0	7.0 meters	0	5	CSA, ATEX, IECEx
0	7	5	7.5 meters			
0	8	0	8.0 meters			
0	8	5	8.5 meters			



MX8031 Extension Cable

- NOTES:
1. 7.37mm (0.290") max. outside diameter.
 2. Miniature male VibeLock™ triaxial connector, round, knurled.
 3. Optional cable protective armor (option BB=01) – 6.99mm (0.275") max. outside diameter. Armor length is 305mm (12.0") less than cable length. Armor material is 304 stainless steel.
 4. 75Ω cable – 3.70mm (0.146") max. outside diameter.
 5. 7.37mm (0.290") max. outside diameter.
 6. Armor ferrule is 303 stainless steel. 8.89mm (0.350") max. outside diameter.
 7. Ethylene-tetrafluoroethylene (ETFE) insulated triaxial cable.
 8. Miniature female VibeLock™ coaxial connector, round, knurled.
 9. Total length (option AAA), + 25%, -0%.
 10. Fluorosilicone connector insulator boot. 13mm (0.51") max. outside diameter 50mm (2.00") max. length. Insulator boot is not designed to seal against moisture ingress. It is provided for electrical insulation of connectors from inadvertent contact with conduit, junction boxes, and other metal objects.

*Registered trademark(s) of Metrix Instrument Co.®.

**Registered trademark(s) of Bently Nevada®.