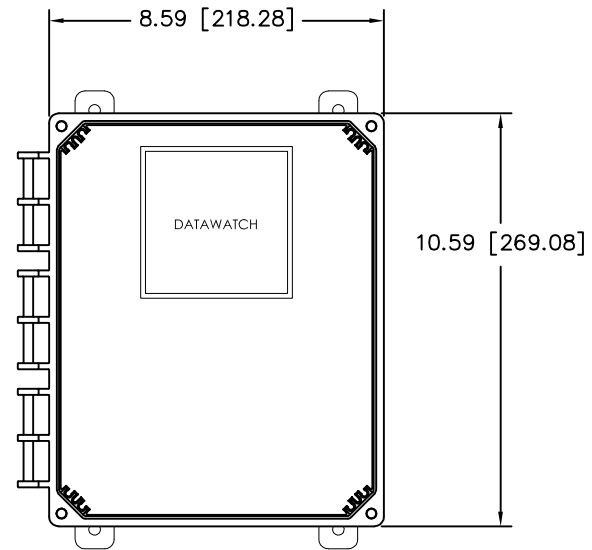
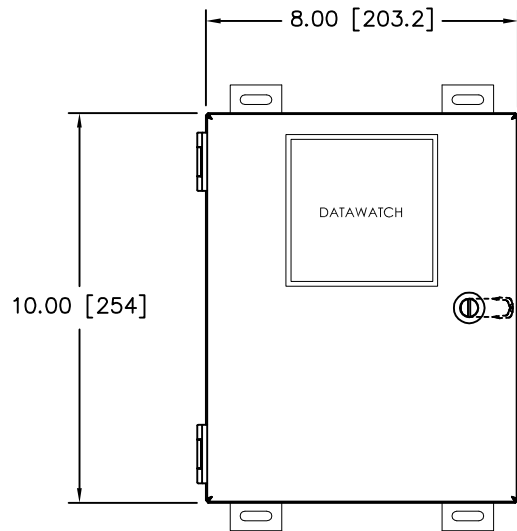


REVISIONS	
REV	CR/CHANGE
A	RELEASE

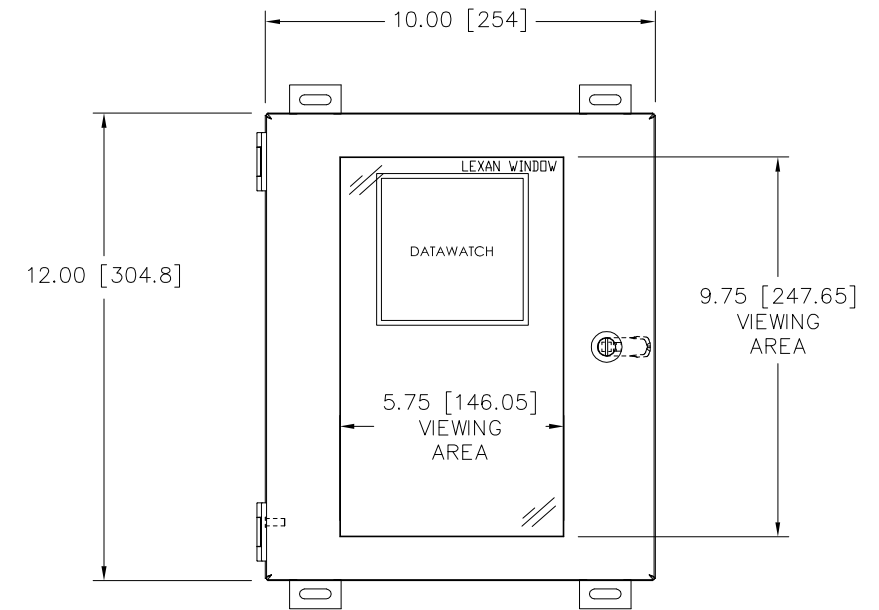
ALL POLYCARB VER.
OPTION 1, 3, 5



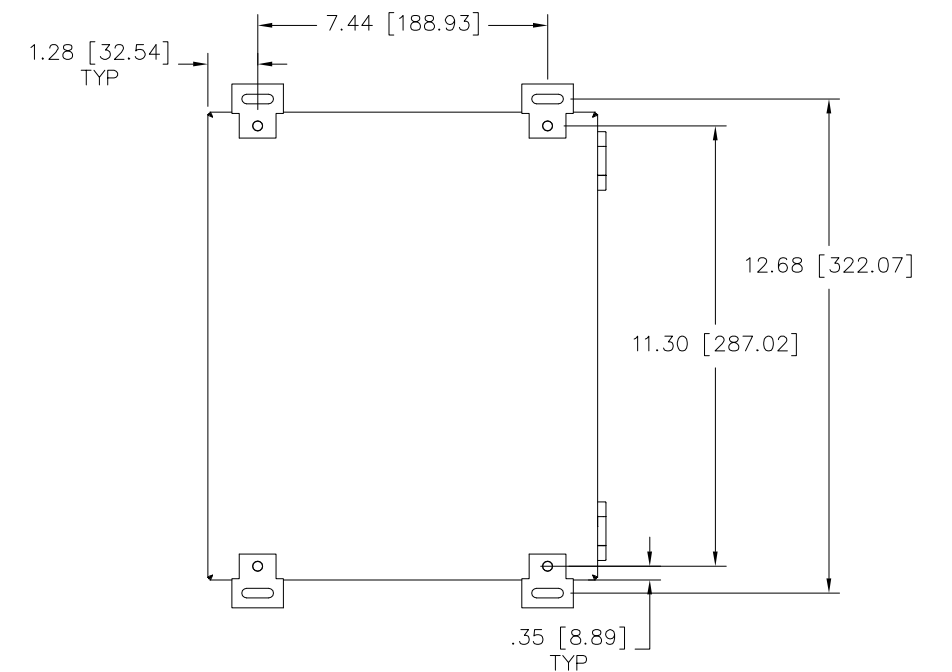
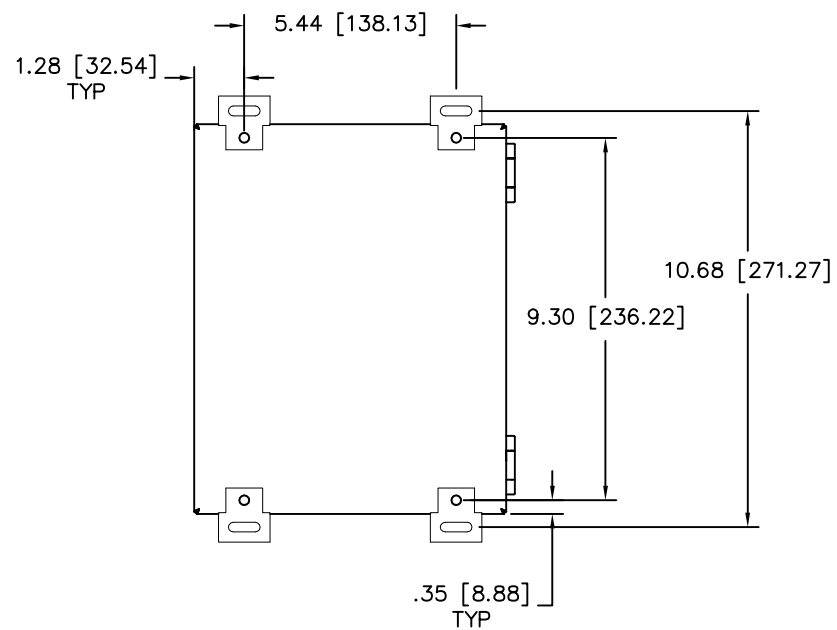
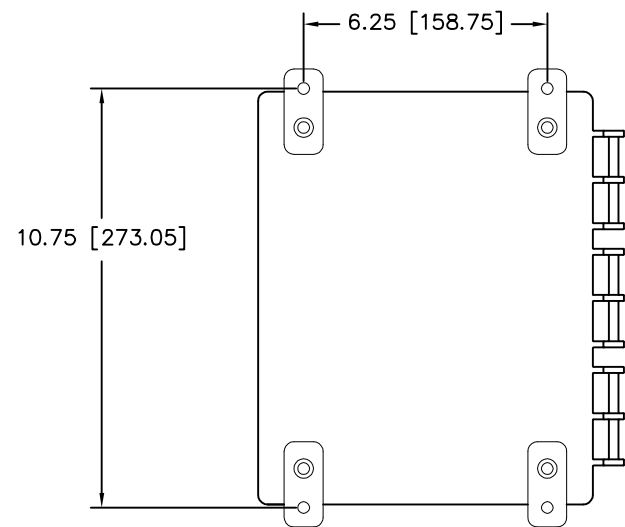
STAINLESS STEEL
OPTION 2, 4



STAINLESS W/ WINDOW
OPTION 6



FRONT



REAR

MATERIAL:	UNLESS OTHERWISE SPECIFIED DIMENSIONS ARE IN INCHES. ALL CORNERS BROKEN TO .010 MIN RADIUS AND TOLERANCES ARE:	APPROVALS	DATE	<p>HOUSTON, TEXAS USA</p>
FINISH:		DRAWN BY:		
		A. Wilson	06-21-16	
		CHECKED BY:		
<p>THIS DOCUMENT AND ALL INFORMATION HEREON IS THE PROPERTY OF METRIX INSTRUMENT CO. APPROVAL MUST BE OBTAINED BEFORE IT IS REPRODUCED OR INFORMATION HEREON IS ISSUED TO A THIRD PARTY. THIS DOCUMENT MUST BE RETURNED UPON REQUEST.</p>		APPROVED BY:		<p>OUTLINE & DIMENSIONS, DATAWATCH IX</p>
		FRACTIONS: DECIMALS:		
		$\pm 1/64$.XX ± 0.01 ± 1 .XXX ± 0.005		
		ANGLES: $\pm 1^\circ$ SURFACE FINISH 64		
		NEXT ASSY	DWIX USED ON	SIZE B CASE NO. 3TWC8 SCALE: 1:1
		APPLICATION	DO NOT SCALE DRAWING	DRAWING NO. 1591633 REV. A SHEET: 1 of 1