

OVERVIEW

The SA6200 API 670 Accelerometer is capable of sensing a wide range of vibration frequencies, which makes it ideal for use on a variety of machines. It consists of a temperature stabilized piezo-electric sensor and an amplifier packaged together in a 316 stainless steel case, from which the sensing circuit is electrically isolated. A built-in amplifier provides a high level, low impedance output.



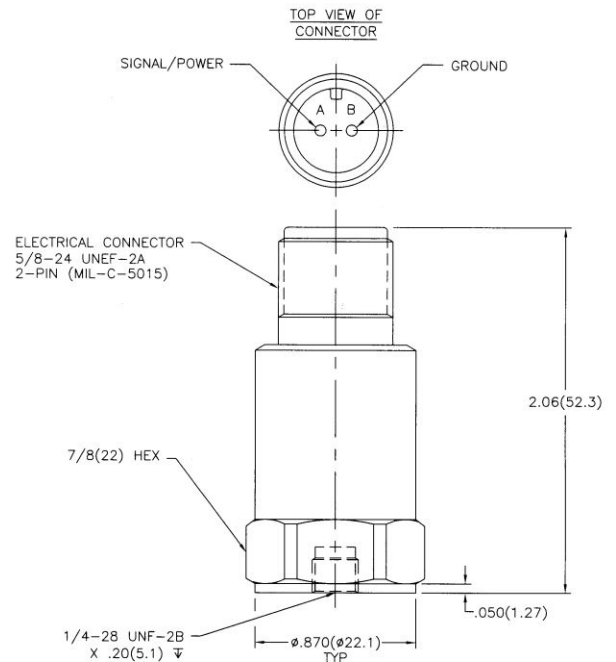
API 670 COMPARISON TABLE

	SA6200	API 670
Case Material	316 SS	316 SS
Frequency Response (± 3dB)	0.5 Hz- 12 kHz	10 Hz- 10 kHz
Noise Floor	0.004 g rms	0.004 g rms
Mounted Resonance	18kHz	N/A
Hazardous Area Certifications	CSA, ATEX, IECEx	N/A

SPECIFICATIONS

Dynamics	
Accuracy	2% (repeatability)
Sensitivity (±5%)	100 mV/g (10.2 mV/m/s ²)
Frequency Response	<ul style="list-style-type: none"> 1 to 4000 Hz (± 5%) 0.67 to 6500 Hz (±10%) 0.33 to 12,000 Hz (±3dB)
Resonant Frequency	18 kHz
Cross Axis Sensitivity	≤5%
Measurement Range	≤50 g
Broadband Resolution	1000 µg (9810 µm/sec ²)
Mechanical	
Case Material	316 Stainless Steel
Connector Type	2-pin MIL-C-5015
Hermetic Seal	Welded
Mounting Thread	1/4-28 Female
Sensing Element	Quartz
Weight	94 gm (3.3 oz)
Electrical	
Excitation Current	2 to 20 mA
Excitation Voltage	18 to 28 VDC
Output Bias	8 to 12 VDC
Settling Time	≤10 sec
Transient Protection	RFI & ESD
Environmental	
Shock Limit	5,000 pk
Temperature Range	-65°F to +250°F (-54°C to +121°C)
Enclosure Rating	IP68
Hazardous Area Cert.	CSA, ATEX and IECEx

WEIGHT & DIMENSIONS



Aprox. Weight: 94 gm (3.3 oz)
Units in inches (mm)

HOW TO ORDER

SA6200 - **A** **B** **C**

A	Hazardous Area Certification
0	Non-Agency Approved
5	CSA US/CA, Class 1, Div 2, Groups A-D, T4 (non incandive) CSA US/CA, Class 1, Div 1, Groups A-D, T4 (I.S. w/barrier) ATEX/IECEx Ex nA IIC T4 Gc (non incandive) ATEX/IECEx Ex ia IIC T4 Ga (I.S. w/barrier)

B	Mounting Stud
5	1/4-28 UNF and M6 x 1.0
3	NONE

C	Connector Type
1	2-pin Hermetic Plug